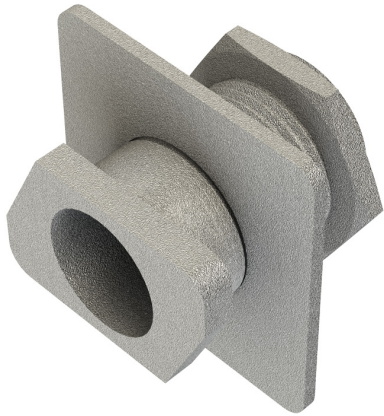


PRODUCT CODE: MP46
CHANNEL BRACKET



DESCRIPTION

Suspension Unit

FINISH

Body: Zinc / Plate & Nut: BZP

MATERIAL

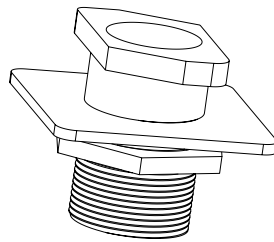
Body: Zinc Cast / Plate and Nut: Pressed Steel

PACKAGING

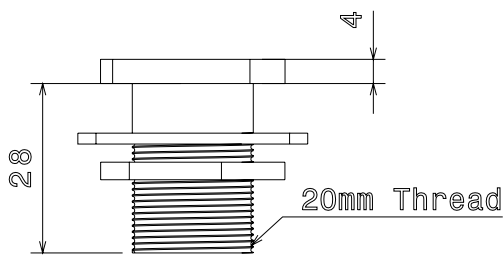
Packed in qty 100

ADDITIONAL NOTES

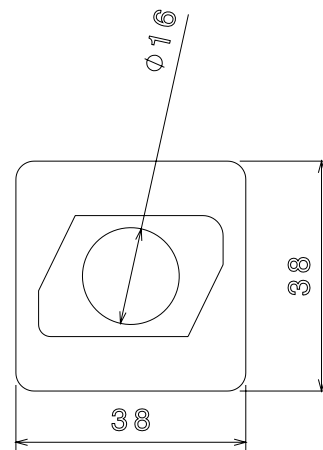
Consists; threaded body, plate and flat nut



Isometric view



Side view



Top view